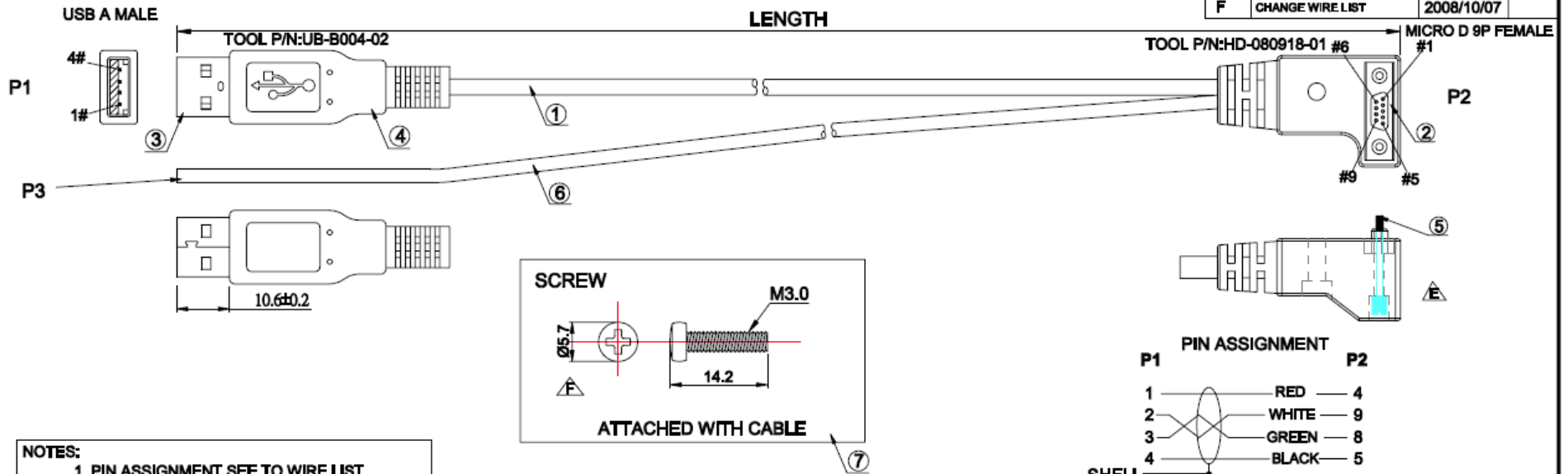


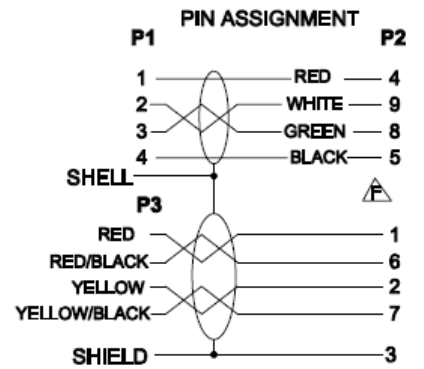
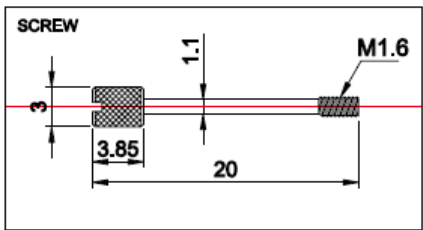
RoHS COMPLIANT

DESCRIPTION CONTROL			
REV	DESC	DATE	APP
A	FIRST EDITION	2008/07/23	
B	ADD SCREW	2008/07/28	
C	REMOVE SCREW	2008/07/29	
D	CHANGE WIRE LIST	2008/07/30	
E	CHANGE TOOL AND CONNECTOR	2008/09/19	
F	CHANGE WIRE LIST	2008/10/07	



NOTES:
 1. PIN ASSIGNMENT SEE TO WIRE LIST.
 2. ELECTRICAL TEST CONDITION:
 (a). 100% OPEN, SHORT & MISWIRE TEST,
 (b). INSULATOR RESISTANCE: 20 Mohm MIN.
 DC 300V 0.01sec; 0.03sec.
 (c). CONTACT RESISTANCE: 3 ohm MAX.

ITEM	QTY	PART NUMBER	DESCRIPTION
7	1		SCREW: M3 5.7*14.2MM.
6	1	Sa04368-1	28AWG*2PAIR+ADB, OD: 3.2MM UL2725 BLACK PVC JACKET.
5	2		SCREW: M1.6 3.0*20MM, NICKEL PLATED.
4		G0001	ALL CONNECTOR OVERMOLD BLACK PVC.
3	1	A0114	USB A TYPE, MALE, GOLD PLATED 30". SOLDER TYPE.
2	1		MICRO D 9P FEMALE, SOLDER TYPE, BLACK INSULATOR, WITH M1.6 AND M3 SCREW.
1	1	E0849 H7304R	28AWG*1P+26AWG*2C-AM-SP-FPP. OD: 4.5MM UL20276 BLACK PVC JACKET.



	REV.	DWG NO: CY-S-0399
	F	CUSTOMER:
DRAW, BY:	CUSTOMER P/N: USB A+TRIGGER/MICRO DB9-XM	
CHECK, BY:	SCALE	UNIT
APP, BY:	FREE	mm
		SHEET
		1/1