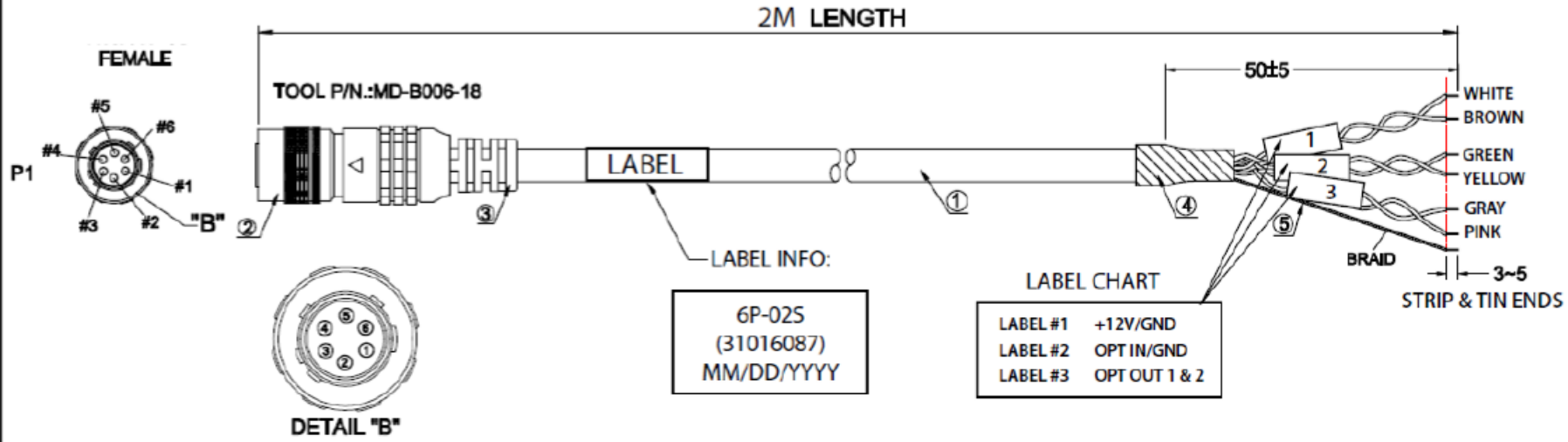


**RoHS COMPLIANT**

DESCRIPTION CONTROL			
REV	DESC	DATE	APP
A	FIRST RELEASE	2/20/15	



LABEL CHART	
LABEL #1	+12V/GND
LABEL #2	OPT IN/GND
LABEL #3	OPT OUT 1 & 2

PIN ASSIGNMENT		
P1		
1	WHITE	+12-24V DC
6	BROWN	GND
2	GREEN	Opto In1
5	YELLOW	Opto Common
3	GRAY	Opto Out1
4	PINK	Opto Out2
5	BRAID	

## Components Express, Inc

	REV.	DWG NO: 6P-025	
	A	CUSTOMER:	
DRAW,BY: BJT		CUSTOMER P/N: 31016087	
CHECK,BY:	SCALE	UNIT	SHEET
APP,BY:	FREE	mm	1/1

4

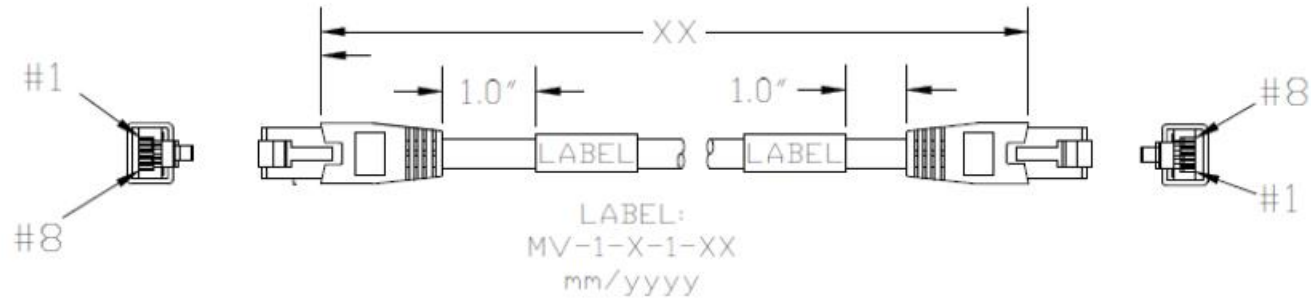
3

2

1

REVISIONS				
ZONE	REV	DESCRIPTION	DATE	APPROVED
	A	INITIAL RELEASE	10/10/06	BT

MV-1-X-1-XX  
 X= Cable type  
 XX= Length in Meters



Proprietary and confidential information  
 of Components Express, Inc.  
 10330 Argonne Woods Drive  
 Suite 100  
 Woodridge, IL 60517  
 1-800-578-6695  
 www.ComponentsExpress.com



MV-1-X-1-XX

SIZE	TITLE NO.	DWG. NO.	REV
			A
DRW: BJT		SCALE: NONE	SHEET

4

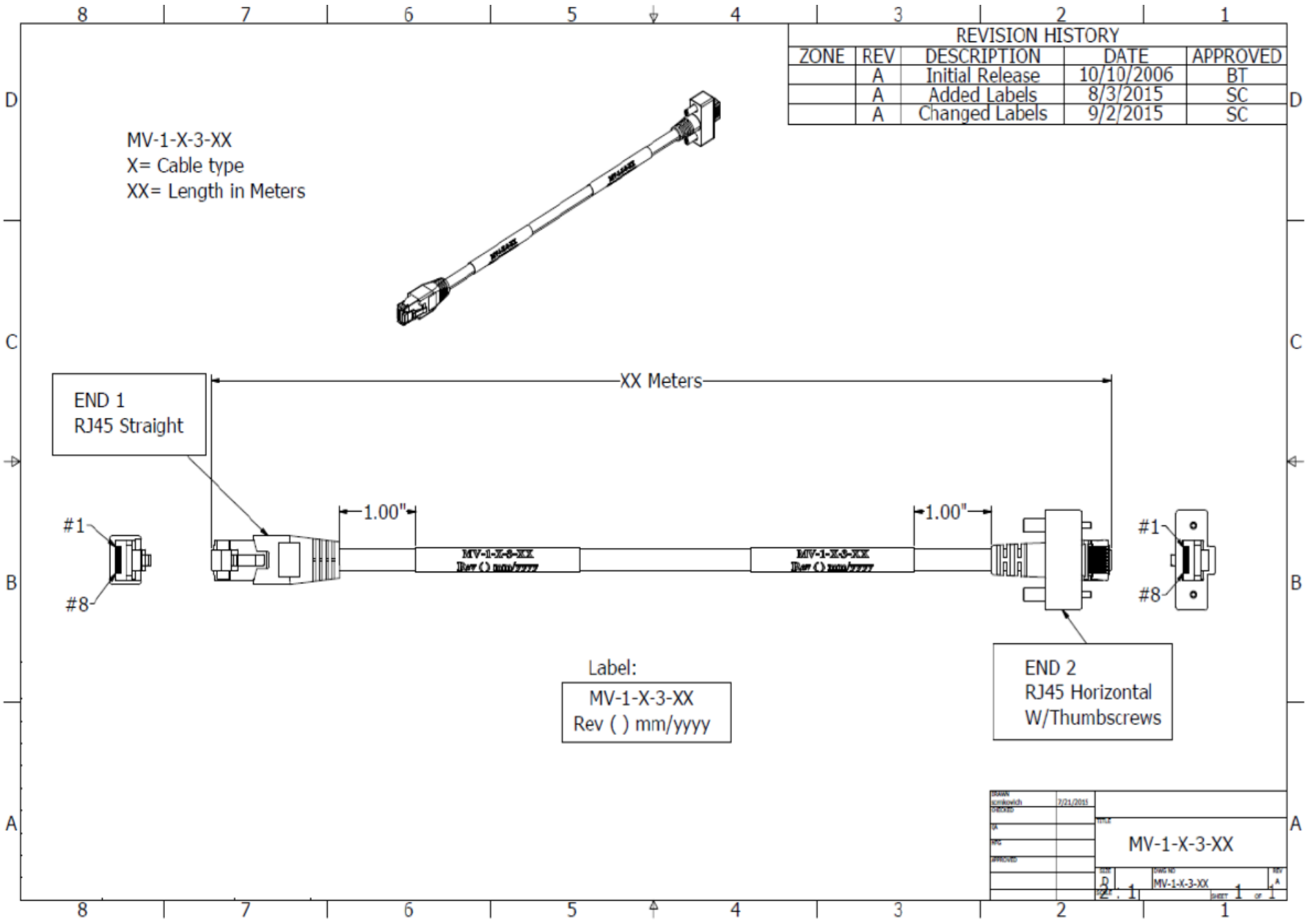
3

2

1

REVISION HISTORY				
ZONE	REV	DESCRIPTION	DATE	APPROVED
	A	Initial Release	10/10/2006	BT
	A	Added Labels	8/3/2015	SC
	A	Changed Labels	9/2/2015	SC

MV-1-X-3-XX  
 X= Cable type  
 XX= Length in Meters

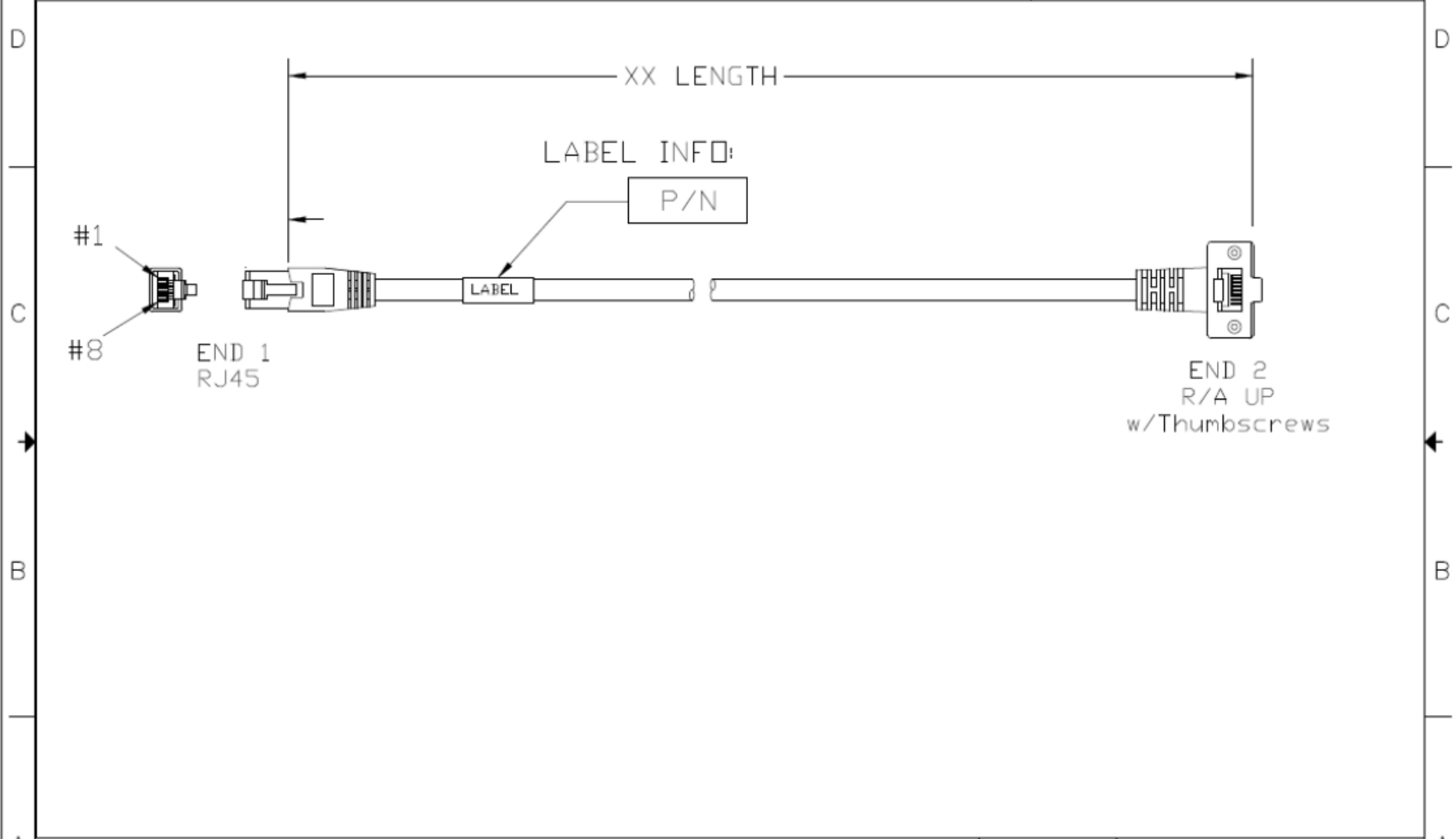


Label:  
 MV-1-X-3-XX  
 Rev ( ) mm/yyyy


END 2  
 RJ45 Horizontal  
 W/Thumbscrews

DATE	7/21/2015	
DESIGNER		
QA		
ENG		
APPROVED		
PART NO		MV-1-X-3-XX
REV	1	1 of 1

REVIEWS				
ZONE	REV	DESCRIPTION	DATE	APPROVED
	A	INITIAL RELEASE	10/06/10	BT



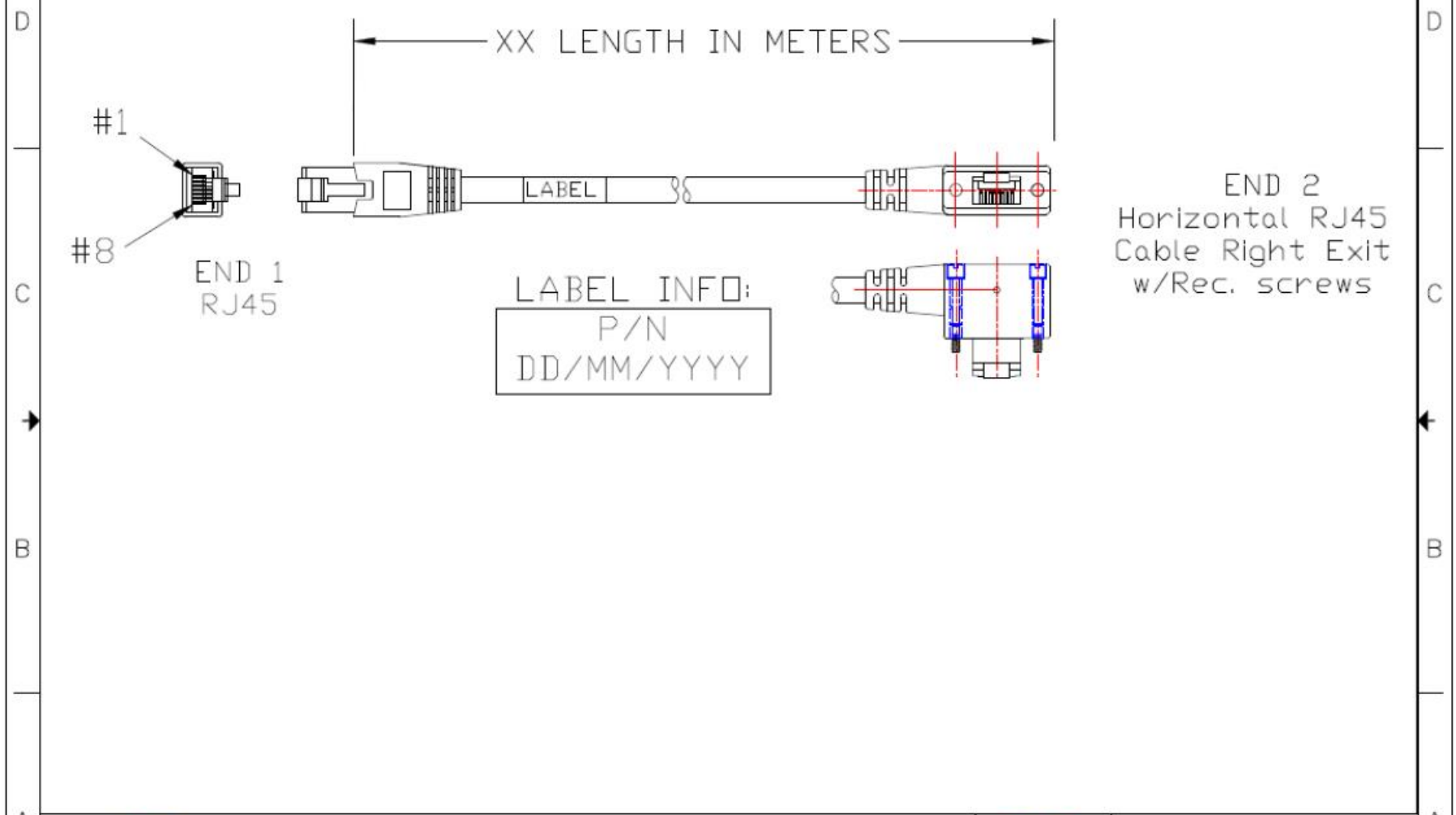
Proprietary and confidential information of Components Express, Inc.  
 10330 Argonne Woods Drive  
 Suite 100  
 Woodridge, IL 60517  
 1-800-578-6695  
 www.ComponentsExpress.com



MV-1-X-7-XX

SIZE	PICK NO.	DWG NO.	REV
DRW: BJT	SCALE NONE	SHEET	A

REVISIONS				
ZONE	REV	DESCRIPTION	DATE	APPROVED
A		INITIAL RELEASE	11/05/10	BT



Proprietary and confidential information  
of Components Express, Inc.  
10330 Argonne Woods Drive  
Suite 100  
Woodridge, IL 60517  
1-800-578-6695  
www.ComponentsExpress.com

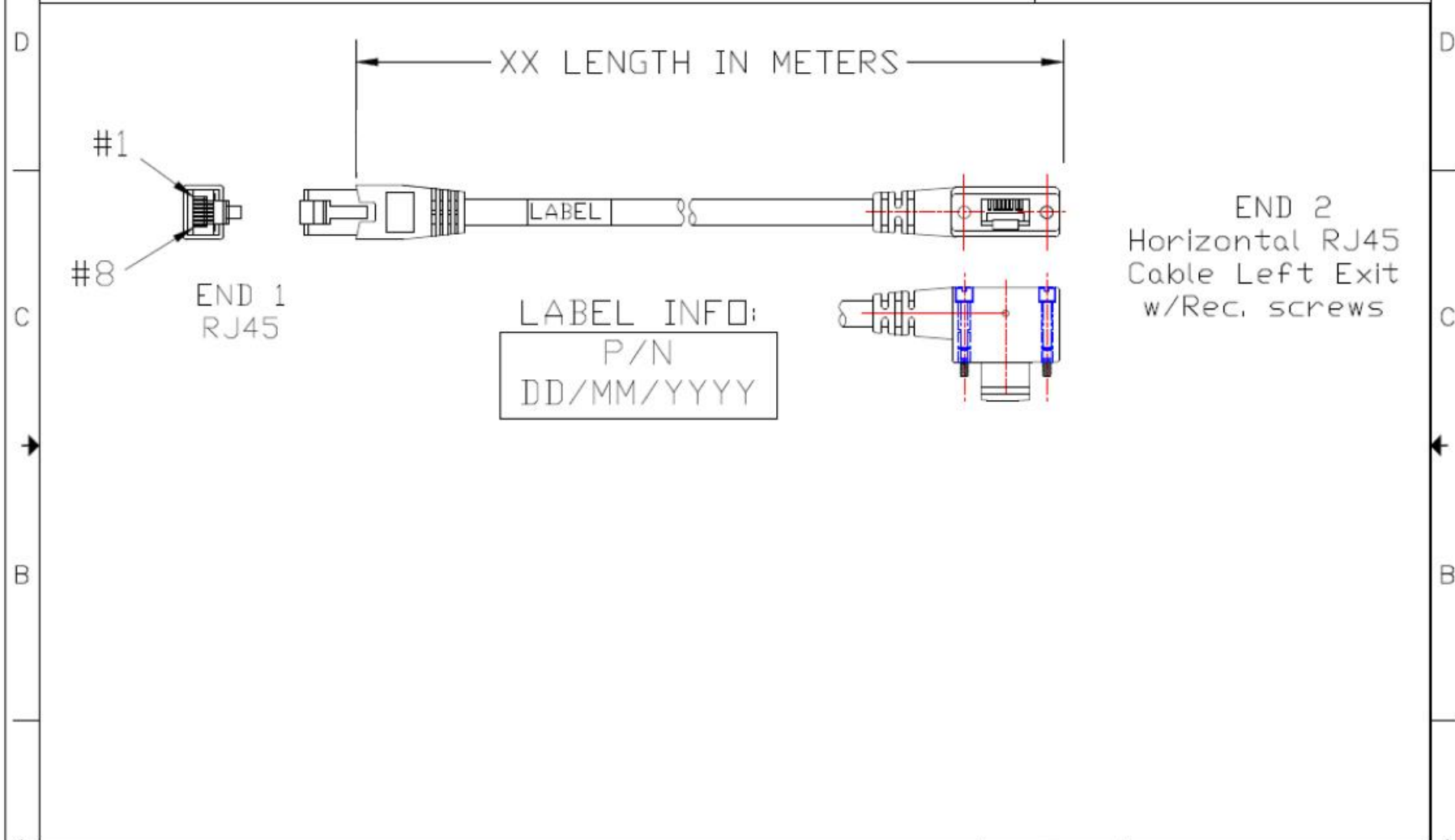


MV-1-X-11-XXM

DRW: BJT	REV: A
SCALE: NONE	SHEET

4 3 2 1

REVISIONS				
ZONE	REV	DESCRIPTION	DATE	APPROVED
A		INITIAL RELEASE	11/09/10	BT




LABEL INFO:  
P/N  
DD/MM/YYYY

END 2  
Horizontal RJ45  
Cable Left Exit  
w/Rec. screws



Proprietary and confidential information  
of Components Express, Inc.  
10330 Argonne Woods Drive  
Suite 100  
Woodridge, IL 60517  
1-800-578-6695  
www.ComponentsExpress.com



MV-1-X-12-XXM

DATE	FROM NO.	REV NO.	REV
			Δ

DRW: BJT

SCALE: NONE	TITLE
-------------	-------

4 | 3 | 2 | 1