



### Benefits:

- Electro-polished V4A stainless steel AISI 316L
- For cameras up to 40 x 40mm cross section
- Robust construction
- Compact size
- High IP protection class
- Flexible camera positioning
- High chemical resistance
- Vibration-proof mounting
- Camera mount included
- Good heat dissipation
- Easy window replacement



### Technical Details:

<b>Max. Camera Size (w x h)</b>	40 x 40mm 29 x 47mm	<b>Weight</b> (without camera mount)	Approx. 1700g (Size S) Approx. 2200g (Size M)
<b>Max. Lens Diameter</b>	55mm (in profile) 52mm (in front lid)	<b>Enclosure Material</b>	Electro-polished V4A stainless steel AISI 316L
<b>Inner Length</b>	101 (Size S) 151 (Size M)	<b>Enclosure Seals</b>	EPDM
<b>Enclosure Dimensions</b> (d x l, without cable gland)	69 x 110mm (Size S) 69 x 160mm (Size M)	<b>Cable Gland Aperture</b> (max. connector size)	20mm
<b>Window Aperture</b>	45mm	<b>Cable Diameter</b>	Self drilling
<b>Standard Window</b>	BK7, double sided ARC	<b>Cable Gland Seal</b>	TPE
<b>IR Mirror</b>	Order Number: 20.000.010		
<b>Saphire</b>	Order Number: 20.000.016		
<b>Germanium</b>	Order Number: 20.000.017		
<b>Acrylic, uncoated</b>	Order Number: 20.000.027		
<b>Acrylic, double sided ARC</b>	Order Number: 20.000.029		
<b>Window Seal</b>	FKM		
<b>Protection Class</b>	IP66 (Nema 4) IP67 (Nema 6)		



The mount guarantees good heat dissipation



Front Lid

Profile S

Profile M

RearWall

Mount

### Order Numbers:

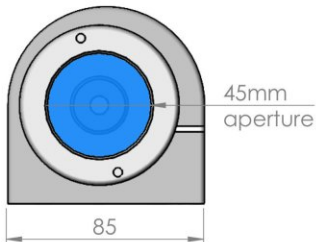
Product ID	Camera Height	Camera Length	Enclosure Type	Length
2	29: 0   30: 1   31: 2 32: 3   33: 4   34: 5 35: 6   36: 7   38: 8 40: 9	< 50mm: 3 < 74mm: 5 < 92mm: 7	30	S: 110 M: 160

### Accessories:

Product	Image	Order No.	Product	Image	Order No.	Product	Image	Order No.
Position Ring		20.020.003	Mounting Tool		90.000.004	Mount		5.120.000
2" Wind Curtain		50.100.010	Tube for W. Curtain		50.100.017			



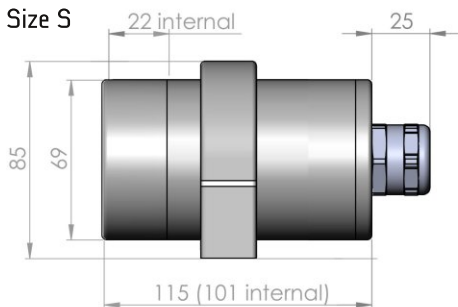
### Front Lid



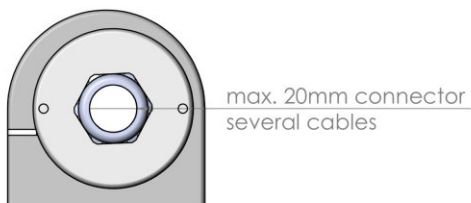
### Profile



### Size S



### Rear Wall



### Size M

